

# Internet Ready Refrigerator Inventory Control System

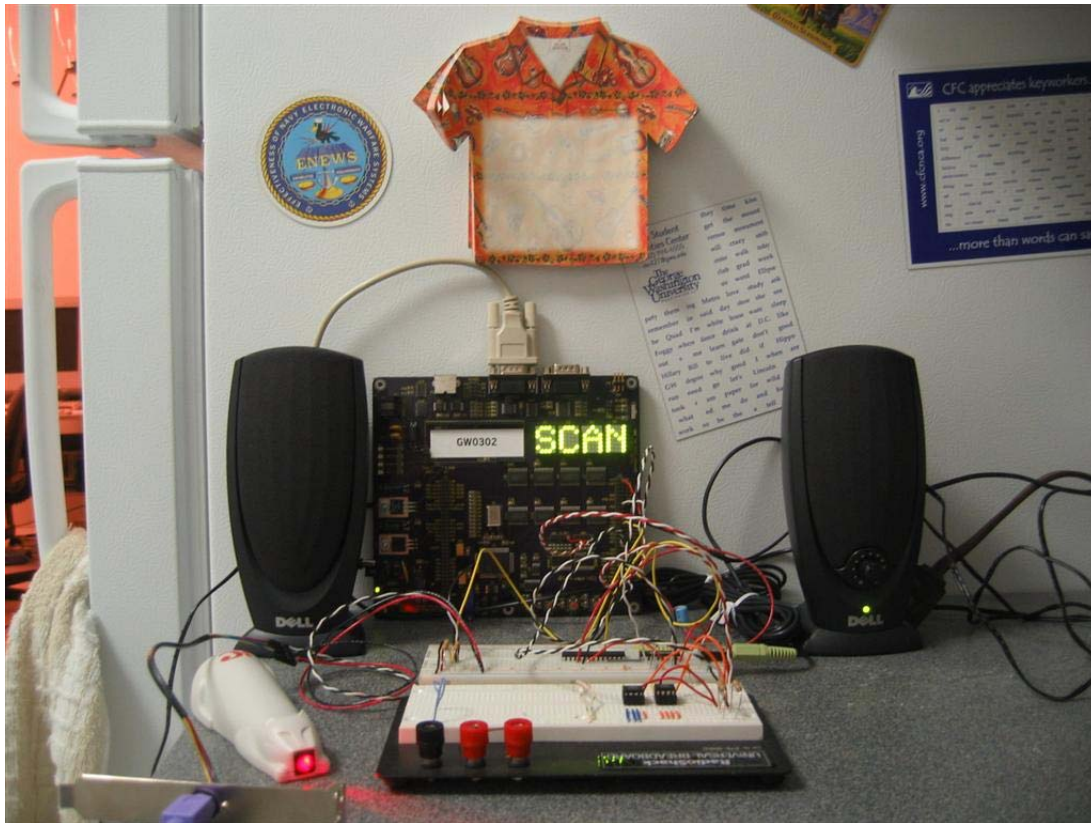
Real-Time Embedded Systems, George Washington University, Spring 2006

Dustin Graves, dgraves@gwu.edu

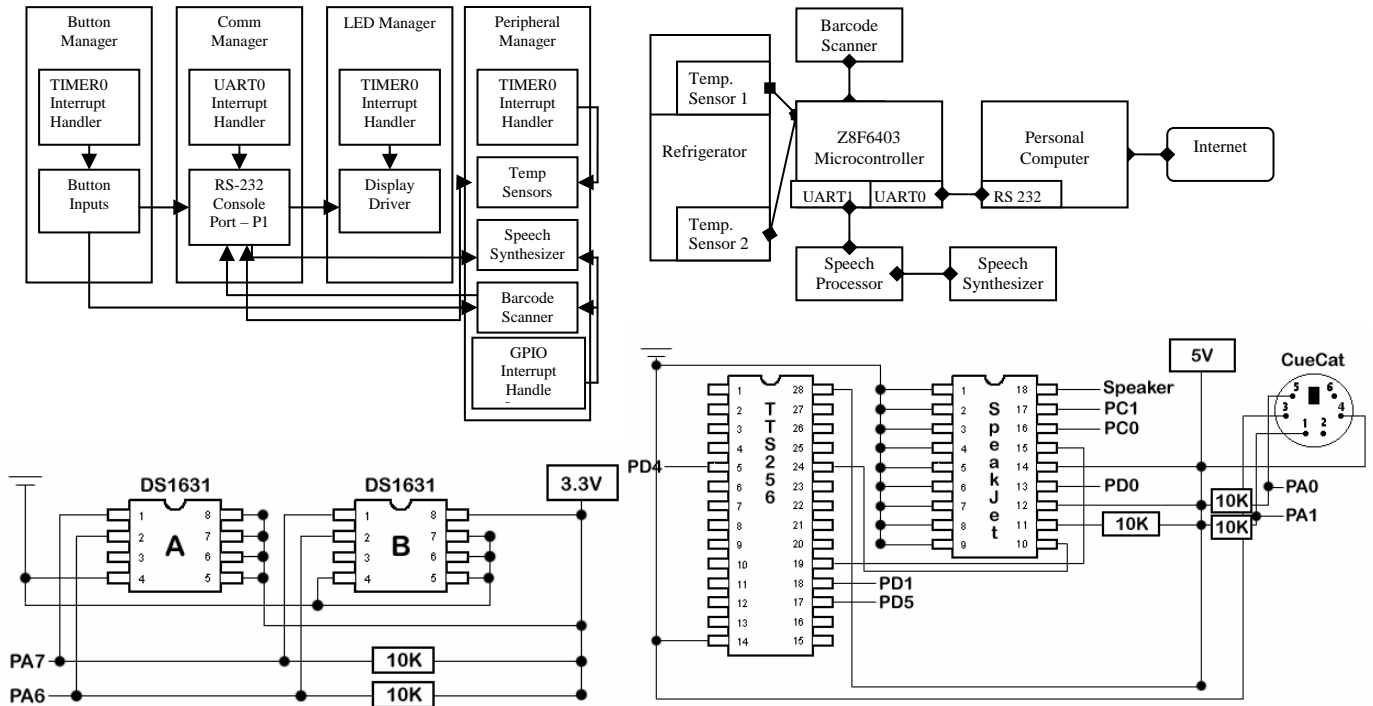
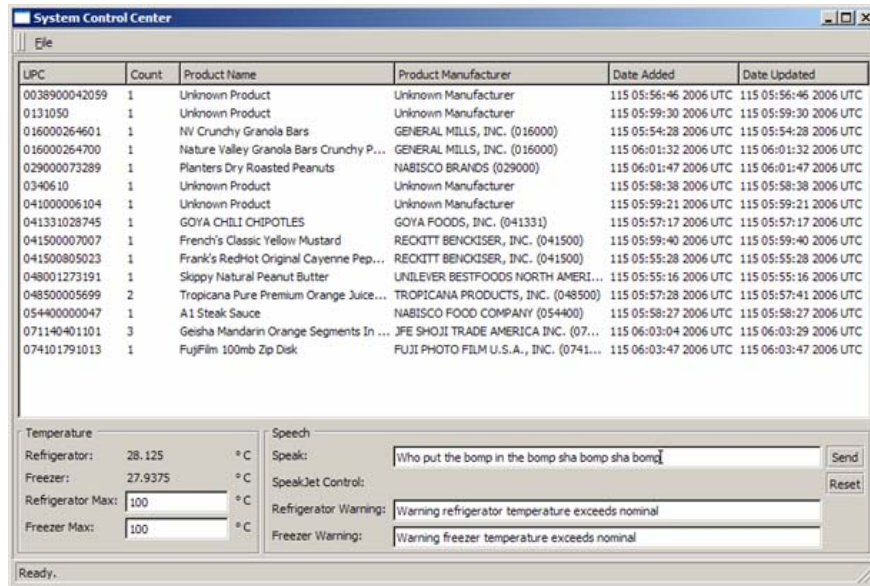
## Project Abstract

The Internet Ready Refrigerator Inventory Control System provides seamless integration of the average household refrigerator with the power and flexibility of the internet. Space-age microcontroller technology combined with the functionality of a standard personal computer allow you to record information about the products stored in your refrigerator with a simple barcode scanner and review the contents of your refrigerator from any computer connected to the internet. Key features:

- Contents of refrigerator available to any computer with an internet connection and a standard web browser.
- Real-time refrigerator temperature monitoring with alarm.
- The refrigerator talks!



The Internet Ready Refrigerator Inventory Control System ready to scan products!  
Pictured with analog recording and magnetic entertainment accessories (not included).



## Lessons Learned

- Identify and resolve hardware problems early.
- Not all hardware can be debugged with software.
- PS/2 barcode scanners make clever use of the PS/2 protocol to simplify operation.
- The Z8 Encore! makes food storage fun.